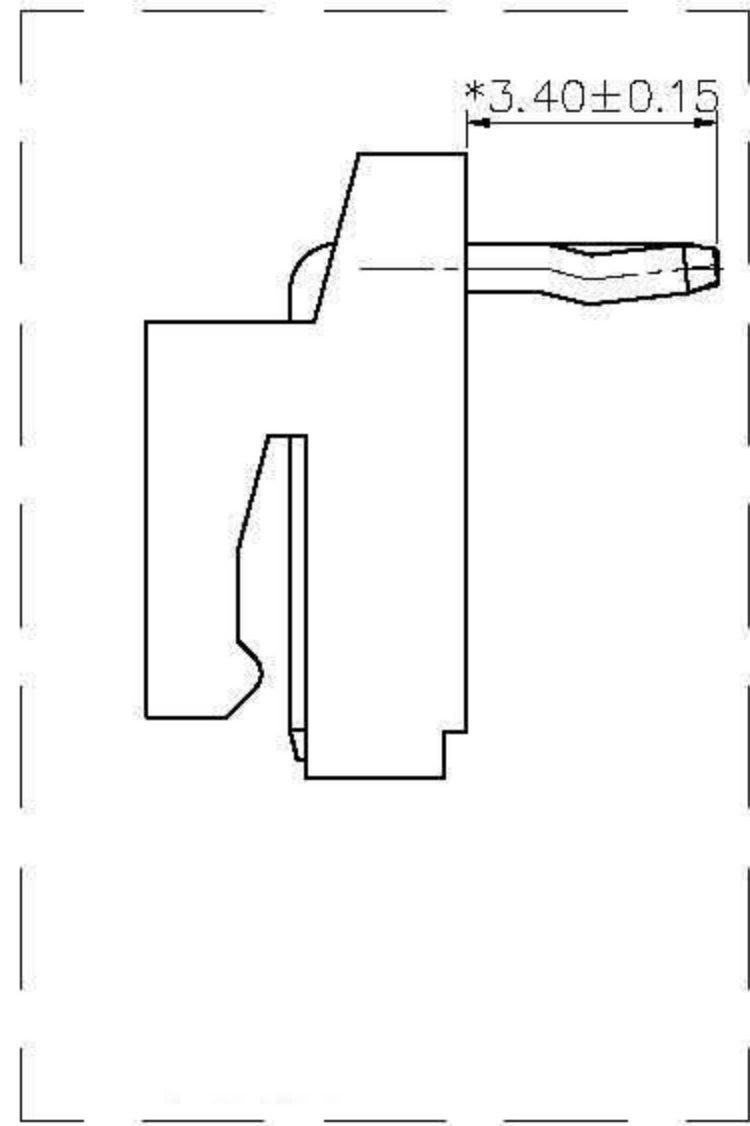
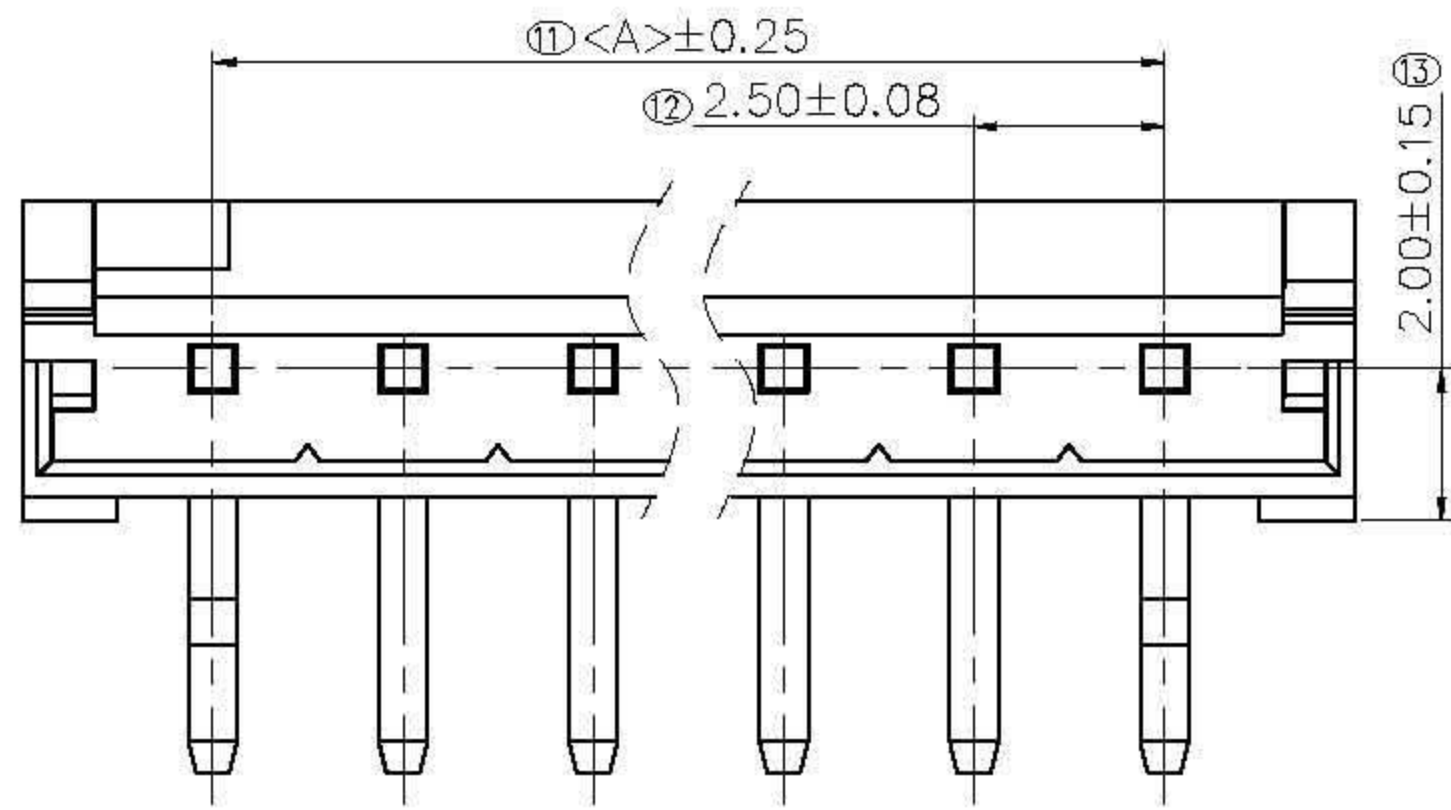
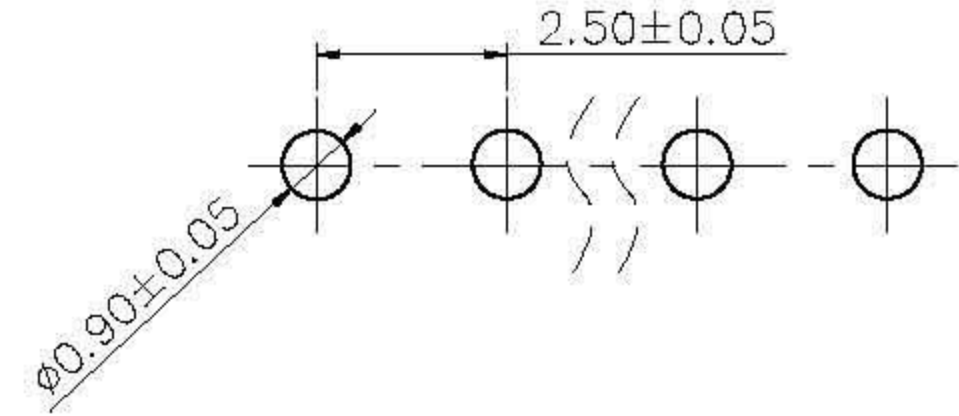


NOTES:
 CURRENT RATING: 2.5A AC/DC
 VOLTAGE RATING: 250V AC/DC
 TEMPERATURE RANGE: -25°C~+85°C
 CONTACT RESISTANCE: 10mΩ MAX.
 INSULATION RESISTANCE: 1000MΩ MIN.
 WITHSTANDING VOLTAGE: 800V AC/MINUTE



Recommended P.C.B Layout(Top Side)
 P.C.B Thickness = 1.20-1.60mm
 (Tolerance=±0.05)



PART NO.	Dimensions	
	A	B
WF2503R02	2.50	7.50
WF2503R03	5.00	10.00
WF2503R04	7.50	12.50
WF2503R05	10.00	15.00
WF2503R06	12.50	17.50
WF2503R07	15.00	20.00
WF2503R08	17.50	22.50
WF2503R09	20.00	25.00
WF2503R10	22.50	27.50
WF2503R11	25.00	30.00
WF2503R12	27.50	32.50
WF2503R13	30.00	35.00
WF2503R14	32.50	37.50
WF2503R15	35.00	40.00

GXCON ENTERPRISE CO., LTD

DIM	TOL	DIM	TOL	DRAW NO.	DATE	P/N NO:	DRAW NAME:
X.	/	X'	/	DESIGN:		WF2503RXX	EH 2.50 90° Wafer
X.X	±0.25	X.X'	±2'	CHECK:			
X.XX	±0.20	X.XX'	±1'	REVIEW:		REV. C	SCALE 1:1
X.XXX	±0.10	X.XXX'	/			UNIT: mm	SHEET: 1 OF 1